

PAVE-IR SOLUTIONS



20

20

PAVE-IR / VISUALIZING THERMAL SEGREGATION
MOBA-AUTOMATION.COM

Road construction experience of **more than 45 years** , together with the innovation power of a worldwide networked company makes **MOBA Mobile Automation** the forerunner of road construction of the future.



INTELLIGENT PAVING - THERMAL REAL-TIME VISUALIZATION FOR ASPHALT PAVING OF THE FUTURE

PAVE-IR - THE INNOVATIVE SYSTEM FOR PROCESS OPTIMISATION AND DOCUMENTATION IN ROAD CONSTRUCTION

The optimal temperature of the paving material is a decisive factor in road construction, with a significant influence on the quality of the road. A comprehensive thermal visualisation of the paving process offers important insights regarding the quality of the material and introduces completely new optimisation potentials.

PAVE-IR is the first system, which simply and clearly creates a thermal profile of the road – and that in real-time! The high-precision temperature scanner creates a comprehensive thermal profile of the paved layer across a width of 13m, which optionally serves as proof of the laying and delivery temperatures. The fully automatic visualisation of the temperature thereby enables the quick detection of individual spots of thermal segregation and allows immediate action to be taken!

Up to four additional freely positionable high-performance sensors (IR SPOTS) additionally measure material temperatures at those points where the temperature is crucial, whether it is in the bucket, on the base or in the auger. Even material temperatures at material transfer vehicles (MTVs) can be measured via a wireless IR SPOT sensor. This multiple measurement provides highly accurate and comprehensive values. Thereby it is possible to determine the temperature of the supplied material in real-time and to document this, if required. In this way, temperature differences of the paving material are visualised during the process, and immediate measures can be initiated, if required.

As an innovative tool and component of the 'Intelligent Paving' product range of MOBA Mobile Automation AG, **PAVE-IR** thereby is an important building block for a networked construction site of the future and significantly contributes towards a long service life of the road. The development thereof and its daily use on construction sites around the world is just further proof that digitalisation 4.0 has arrived in the daily construction routine.

PAVE-IR - SYSTEM PROPERTIES AND ADVANTAGES

The unique technology of the scanner offers the distinct advantage of determining the temperature of the asphalt surface and the material very accurately. Capturing across a width of up to 13m is technically superior to camera-based solutions on the market. Based on its modular concept, PAVE-IR is compatible with every paver – completely independent of the manufacturer and the age of the machine.

Three functionalities comprise the core competence of the system: Highly accurate data capturing with the innovative cloud solution that provides open interfaces to a wide range of applications like asphalt logistics and processing systems, as well as a reporting system which can be scaled to detail. As the only system in the market, PAVE-IR covers the entire temperature visualization process, from high-accuracy measurement to in-depth evaluation.

With its automatic temperature measurement, the intuitive operating panel and the self-explanatory temperature profiles, the PAVE-IR is an innovative tool, identifying optimisation potentials – and all of that without extra effort by the installation team! The decisive progress, besides the comprehensive visualisation and documentation of the measured temperature data, is the possibility of networking the paver – a first cornerstone for the construction site of the future.



IR-SCANNER TEMPERATURE VISUALISATION



IR-TECHNOLOGY

NEW OPPORTUNITIES FOR THE CONSTRUCTION SITE OF THE FUTURE

SYSTEM PROPERTIES

- » High-precision measurement of the material temperature for detecting thermal segregation
- » Modular structure with individually combinable and upgradeable components
- » Open interfaces for easy access and integration of third party solutions
- » Detailed thermal profile of the installed asphalt layer
- » Real-time capturing and analysis of temperature values
- » Cloud solution for easy data handling

SYSTEM ADVANTAGES

- » Optimisation of the installation process through monitoring of all relevant temperatures in real-time
- » Visualisation of thermal material properties (thermal segregation)
- » Perfect adaptability with equipment of all paver types and models
- » Highly flexible, future-proof system thanks to a modular concept
- » Extremely large installation widths can be captured – up to 13m

MOBA CLOUD SOLUTION - DATA CAPTURE PAVE-IR

Storage of Pave-IR data is accomplished either via a USB Flash drive or via the MOBA Cloud solution. Either way, Pave Project Manager allows to analyse the data in depth. With the Cloud solution the PAVE-IR is seamlessly integrated into the MOBA paving product range and for the first time this allows real-time data exchange with other systems. Besides redundant data backup this opens up numerous further options for the user.

When automatic data transfer is activated, running projects can be retrieved, analyzed and archived from the office – in real-time. Interfaces to third party solutions like logistics and planning tools increase added value and efficiency. This increased connectivity is an important step towards road construction of the future. A user control system allowing the distribution of user authorisations serves as an additional security measure and guarantees that only selected persons will have access to the data.

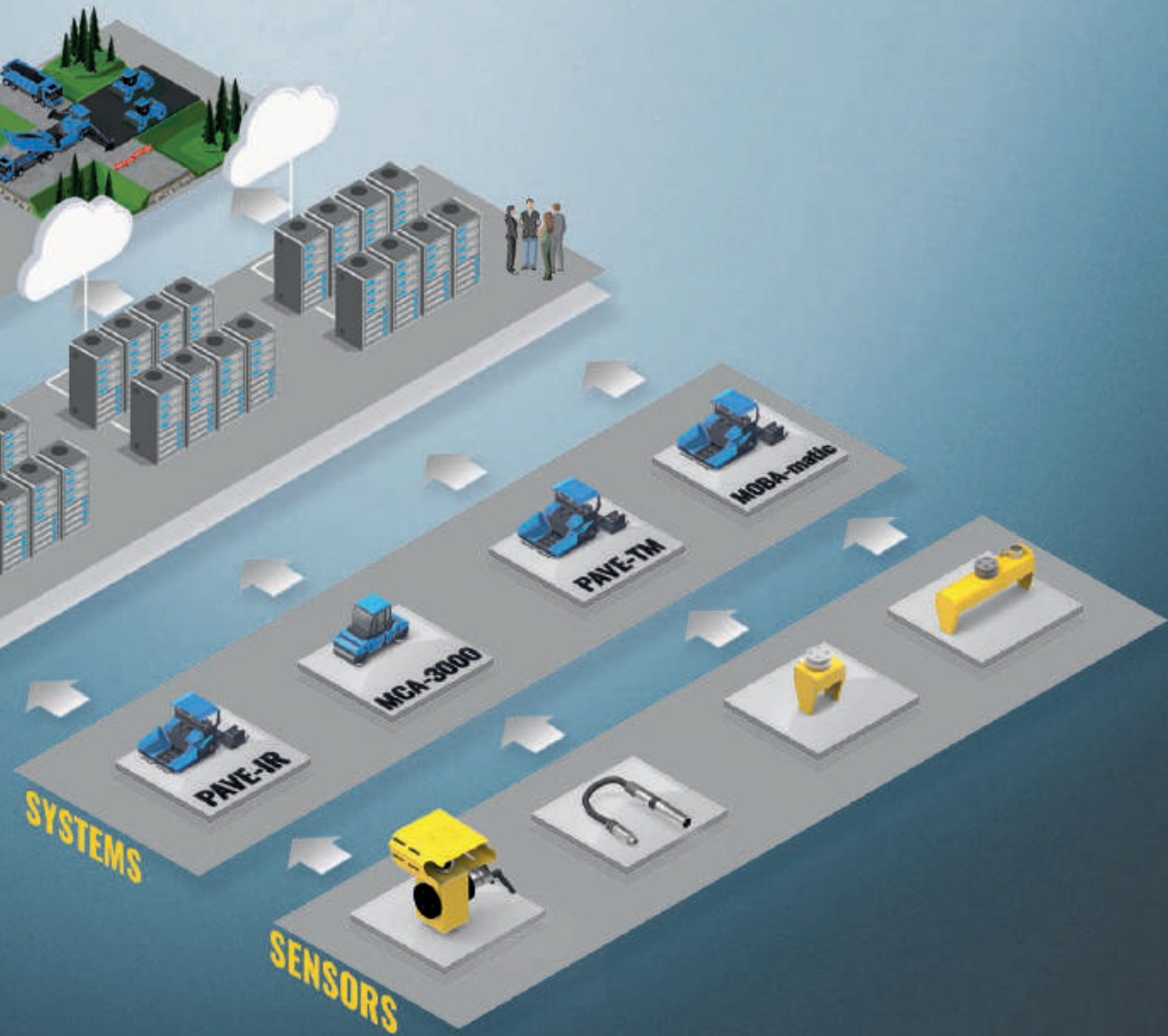
This linking of data offers completely new insights, from which quality enhancing measures can be derived. This results in integrated systems emerging, which need not necessarily originate from the same manufacturer. In this way, the user benefits from a symbiosis, without becoming dependent himself.

The MOBA Cloud offers future-proofness and increases connectivity, if required. In the long term it paves the way for a uniform database, which contributes towards a better understanding and analysis of process data. The combination of data from different systems offers decisive added value. In this way, the linking of the MOBA paving products forms a basis for optimising measures and improves the quality of road construction in the long term.



KEY FACTS:

- » Real-time data transfer
- » Interfaces to other systems
- » Data analysis across systems
- » Manufacturer-independent data exchange



PAVE-IR SYSTEM - DETECT THERMAL SEGREGATION



ONBOARD COMPUTER
THE “HEART” OF THE SYSTEM

MODULAR SYSTEM - ROBUST HARDWARE FOR THE CONSTRUCTION SITE

IR-TEMPERATURE SCANNER

- » Infra-red sensor for the measurement of the surface temperature
- » Automatic edge detection function
- » Large, variable installation width
- » Intelligent sensor, prepared for further options



01

GNSS ANTENNA

- » Position data for geo-referencing
- » Provides coordinates and data for calculating the speed and travel distance of the machine
- » Robust and reliable



02

WEATHER STATION

- » Assesses environmental conditions
- » Air temperature
- » Wind speed
- » Humidity



03

IR-SPOT SENSOR

- » Additional material temperature measurement
- » Flexible installation
- » Temperature information in real-time
- » Up to four individual sensors can be used
- » wireless package available (e.g. installation on MTVs)*

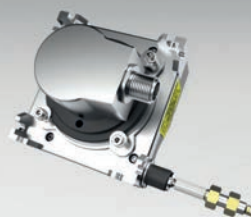
currently only available in EU and North America. Please request for other regions.



04

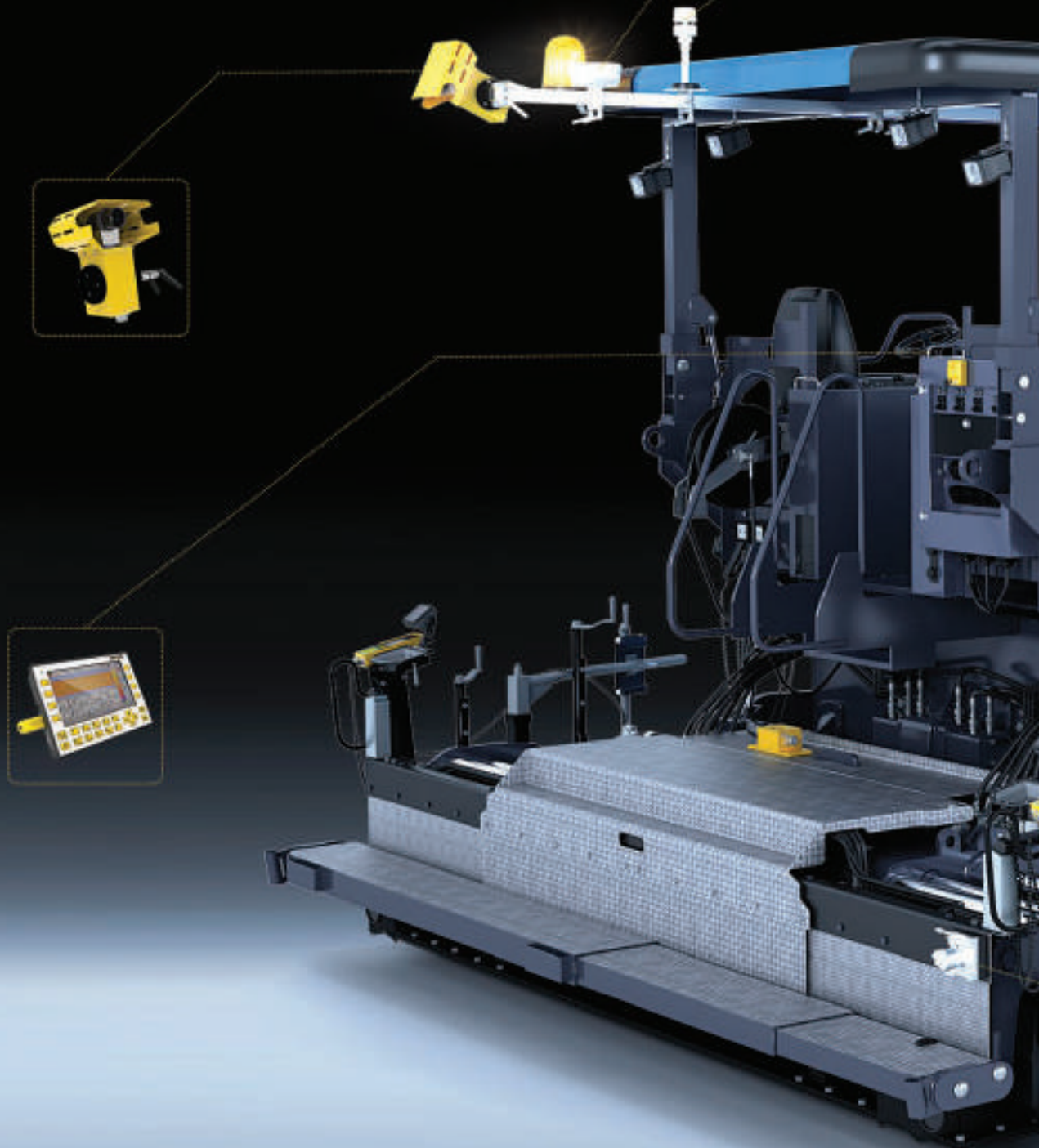
SCREED WIDTH MEASUREMENT

- » For high precision vario screed widths
- » 2 high precision wire rope sensors
- » Easy installation and set-up



05

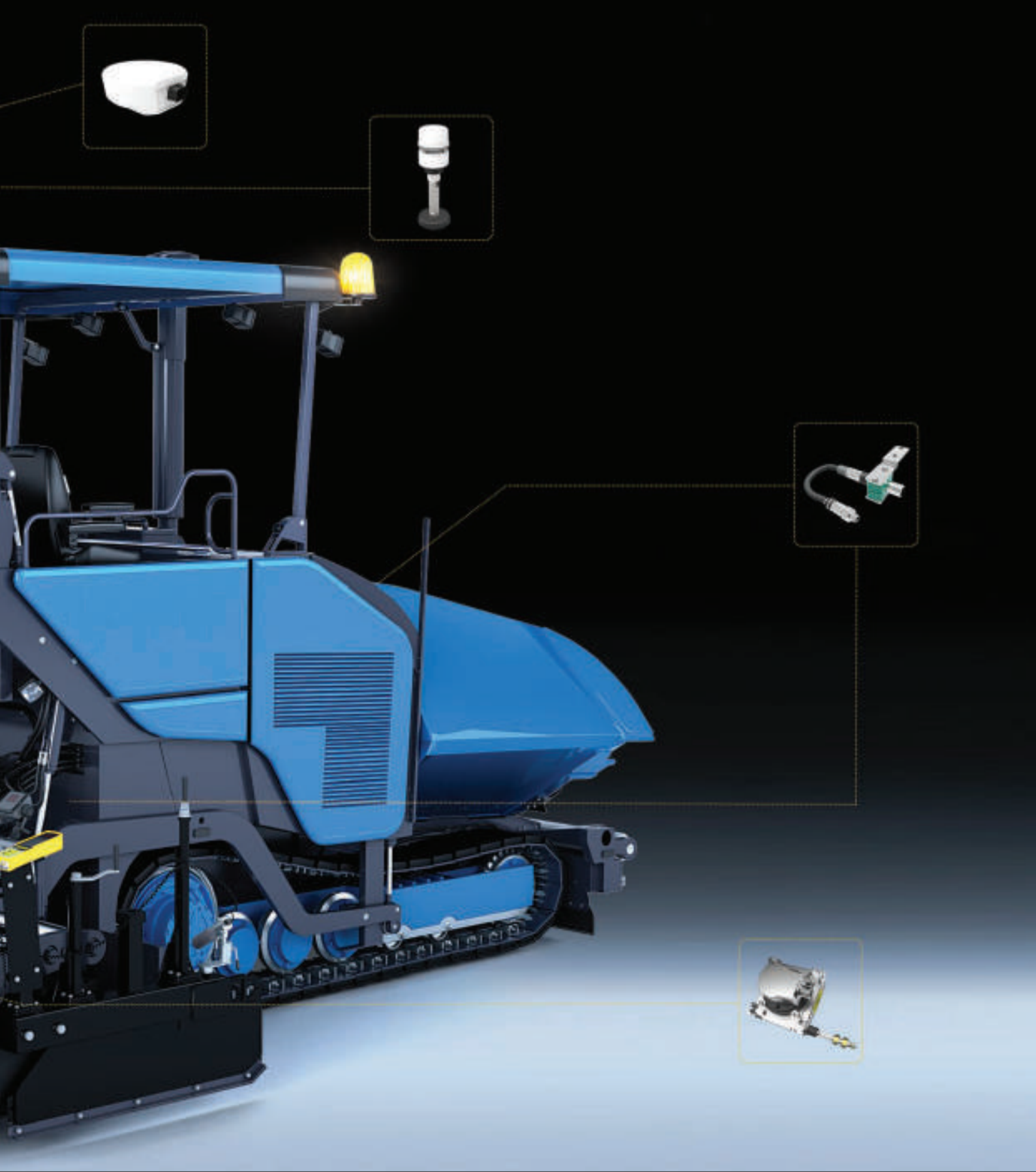
MODULARITY FOR MORE FLEXIBILITY



PROCESS DOCUMENTATION IN ROAD CONSTRUCTION 2.0

Thanks to the modular structure, the system is compatible with every paver type and can therefore be installed flexibly in every machine. The configuration levels can be flexibly adapted to the construction site. In this way, additional functions can easily be added with additional **IR SPOTS** or a weather station.

1. **ONBOARD COMPUTER OPERAND** displays the comprehensive thermal profile
2. **IR-TEMPERATUR SCANNER** technology for the measurement of the surface temperature
3. **GNSS ANTENNA** Position data for geo-referencing
4. **WEATHER STATION** measures air temperature, wind speed and humidity
5. **IR-SPOT** temperature sensor additionally measures the temperature of the material
6. **SCREED WIDTH MEASUREMENT** for high precision vario screed widths



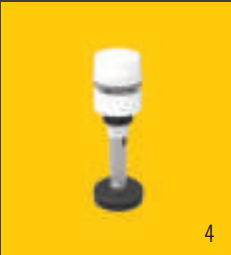
1



2



3



4



5



6



“

„Tools like the PAVE-IR produce high quality, long service life road surfaces, for the advantage of the entire road traffic, and thereby for all who participate“

[Stephen Sebesta, Texas Transportation Institute]

“

“Before we had tools like the PAVE-IR, we knew very little about material temperature during installation. These aspects become obvious since we can visualise them.”

[Swedish construction manager]

“

“The system is accepted very well by our employees. They can immediately see what is in the feed and in the discharge. These are areas which previously were not visible.”

[Bernhard Stolz, Technical Manager Gebr. Stolz]

“

“The best kit on the market”

[Steve Gill, Glendinning Contracting]

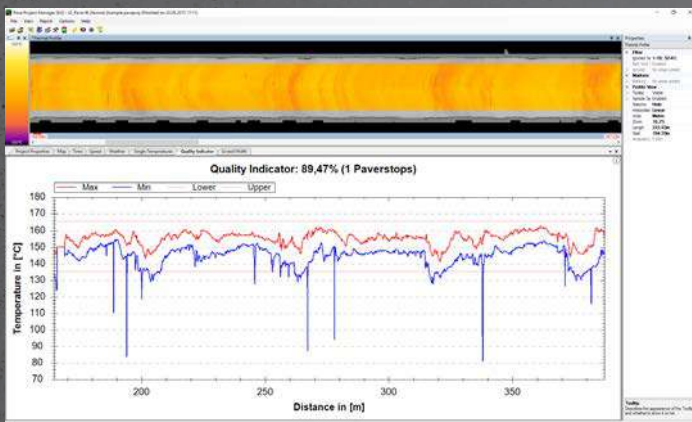
IR-SCANNER

DETECT THERMAL SEGREGATION

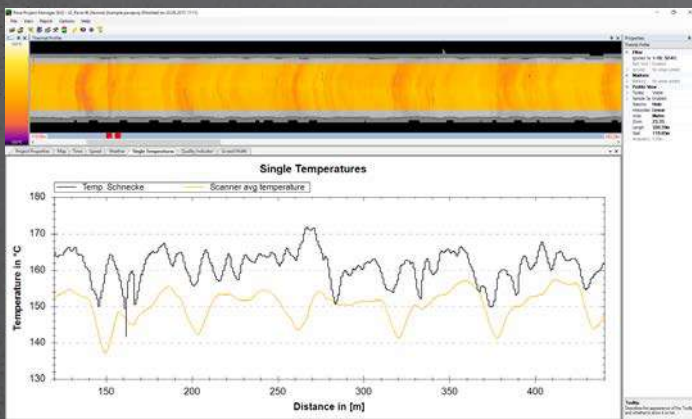
PAVE PROJECT MANAGER - THE SOLUTION TO DETECT THERMAL SEGREGATION

OVERVIEW OF THE MODULES

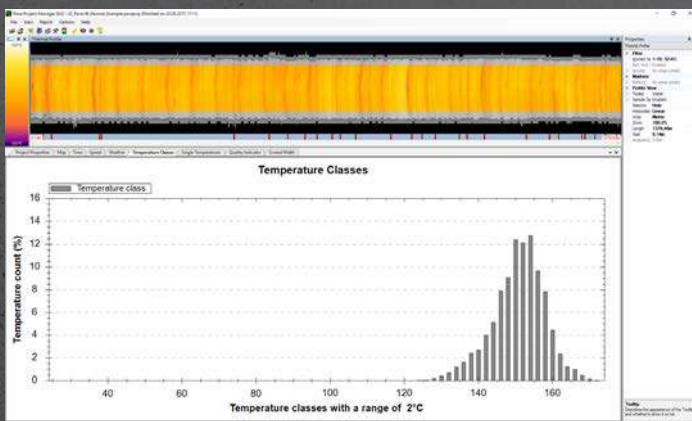
- » Individual temperatures
- » Time diagram, e.g. for paver stops
- » Quality factor diagram
- » Speed diagram
- » Weather diagram
- » Map view
- » Report generation
- » Selection of areas to ignore
- » Future functions can be added



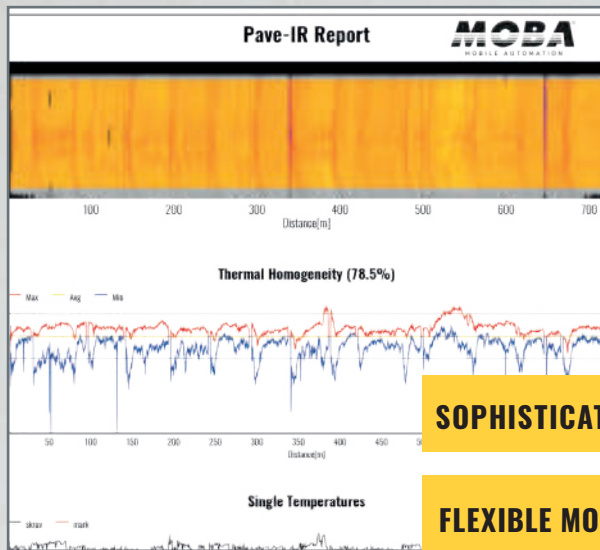
QUALITY INDICATOR DIAGRAM



ADDITIONAL INDIVIDUAL TEMPERATURES

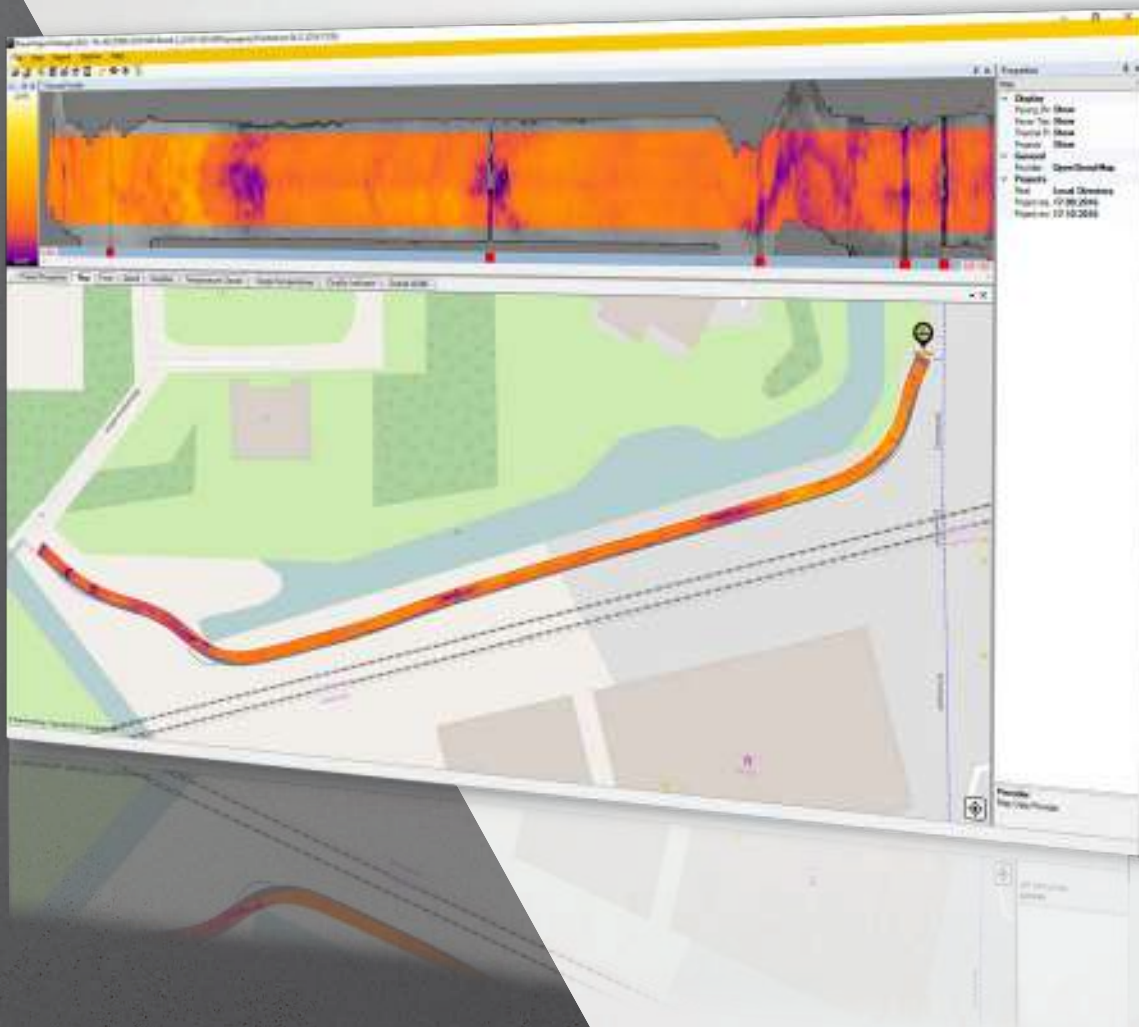


TEMPERATURE CLASSES



SOPHISTICATED REPORTING

FLEXIBLE MODULES FOR ANY TASK



ONE GROUP - ONE RESPONSIBILITY



● HEADQUARTERS ● SUBSIDIARIES ● DEALER

MOBA GROUP

The **MOBA GROUP** is a leading global player in the world of mobile automation. Close collaborations between the headquarter in Limburg an der Lahn and subsidiaries all over Europe, Asia, North and South America create new perspectives for recent and future developments.

Superior technical know-how and more than 40 years of experience combined with an international dealer network guarantee a premium support - **worldwide. INSPIRING MOBILE AUTOMATION** - this is what the **MOBA GROUP** stands for since more than **40 years**.

MOBA GERMANY

65555 Limburg / Germany
Phone: +49 6431 9577-0
E-mail: sales@moba.de

MOBA ITALY

37069 Villafranca die Verona / Italy
Phone: +39 045 630-0761
E-mail: salesitaly@moba.de

MOBA FRANCE

77164 Ferrières en Brie / France
Phone: +33 (0) 1 64 26 61 90
E-mail: infos@mobafrance.com

MOBA UK

HP178LJ Haddanham / UK
Phone: +44 184 429 3220
E-mail: ilewis@moba.de

MOBA SPAIN

08211 Barcelona / Spain
Phone: +34 93 715 87 93
E-mail: moba-ise@moba.de

MOBA USA

Peachtree City GA 30269 / USA
Phone: +1 678 8179646
E-mail: mobacorp@moba.de

MOBA BRASIL

Belo Horizonte - MG / Brasil
Phone: +55 31 7513-4959
E-mail: mobadobrasil@moba.de

NOVATRON FINLAND

33960 Pirkkala / Finland
Phone: +358 (0) 3 357 26 00
E-mail: sales@novatron.fi

MOBA SWEDEN

861 36 Timrå / Sweden
Phone: +46 (0) 73-3750097
E-mail: pwallgren@moba.de

MOBA TECMASERM

08700 Barcelona / Spain
Phone: +34 93 804 24 85
E-mail: moba-tecmaserm@moba.de

MOBA CHINA

116600 Dalian / China
Phone: +86 411 39269311
E-mail: ysun@moba.de

MOBA CHILE

Avda. Providencia 1476
Phone: +56 (9) 61678464
E-mail: mjmarco@moba.de

MOBA INDIA

Gujarat - 382044 / India
Phone: +91 989 855 6608
E-mail: sdesai@moba.de

MOBA DENMARK

5250 Odense / Denmark
Phone: +45 70 26 96 91
E-mail: jlindskov@moba.de

MOBA AUSTRALIA

Victoria 3061 / Australia
Phone: +61 393 570 055
E-mail: dramondetta@moba.de